

Bidet faucet TOSCANA-7

Product information



Description

Refined classics, which was created for pleasure and comfort.

- 5-years warranty
- After assembly all our faucets are being 100% tested
- Durable and glossy surface on all our faucets. We use more durable coating for shine and long-term use of faucets, which is more resistant to scratches, dents, limescale, rust.
- High-quality brass with lowered content of harmful impurities is one of the most important component materials.
- Faucets with the ANTI-NOISE system work silently and do not cause discomfort.
- Air and water mixing technology ensures exceptional economy.
- Aerator Neoperl® Honeycomb – ensures longlasting, quiet and flawless performance of the faucet.
- Ceramic valve with 180 rotation angle and noise absorber. It ensures long-lasting, silent and smooth functioning.
- Faucet is complemented with 40 cm connection hoses.



Specification

Code	M70006
Intended use	Bidet faucet
EAN	4779035272190
Warranty	5
Series	Toscana
Segment	Extra
Connection	1/2
Finish	Chrome plated
Debit l/m	11.5

Components



618040

EAN: 4779028804469



664028

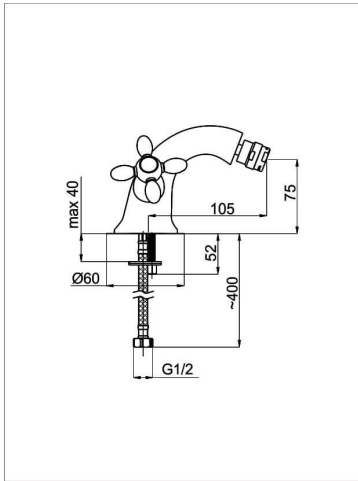
EAN: 4779035271742



636716

EAN: 4779035271575

Scheme



Package



Package quantity	12
Weight Brutto (kg)	1.476
Weight Netto (kg)	1.265
1 package length (m)	0.125
1 packaging depth (m)	0.2
The primary package width (m)	0.152
2 package weight (kg)	0.72
2 packaging capacity	0.05164
2 Packaging depth (m)	0.395
2 packaging length (m)	0.42
2 packaging width (m)	0.325