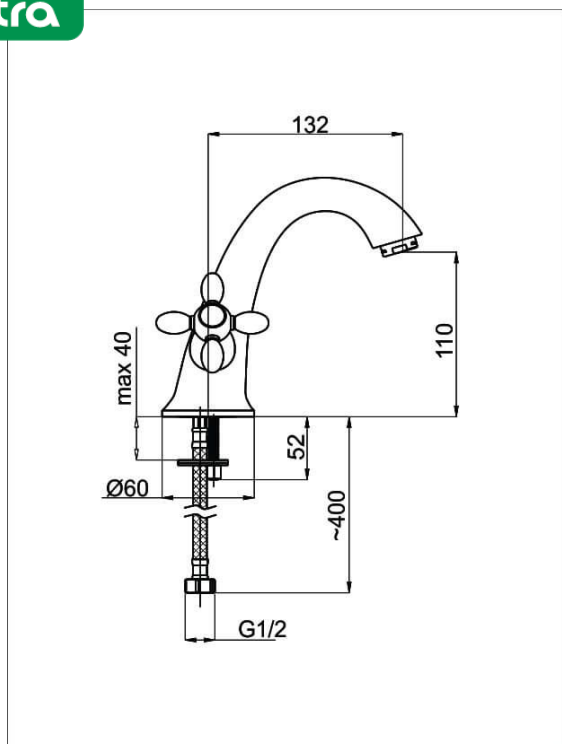


## Washbasin faucet TOSCANA-2

Product information

RUBINETA  
**Extra**



### Description

Refined classics, which was created for pleasure and comfort.

- 5-years warranty
- After assembly all our faucets are being 100% tested
- Durable and glossy surface on all our faucets. We use more durable coating for shine and long-term use of faucets, which is more resistant to scratches, dents, limescale, rust.
- High-quality brass with lowered content of harmful impurities is one of the most important component materials.
- Faucets with the ANTI-NOISE system work silently and do not cause discomfort.
- Air and water mixing technology ensures exceptional economy.
- Aerator Neoperl® Honeycomb – ensures longlasting, quiet and flawless performance of the faucet.
- Ceramic valve with 180° rotation angle and noise absorber. It ensures long-lasting, silent and smooth functioning.
- Faucet is complemented with 40 cm connection hoses.



### Specification

<b>Code</b>	M20006
<b>Intended use</b>	Washbasin faucet
<b>EAN</b>	4779035272183
<b>Warranty</b>	5
<b>Series</b>	Toscana
<b>Segment</b>	Extra
<b>Connection</b>	1/2
<b>Finish</b>	Chrome plated
<b>Debit l/m</b>	12.5

### Components



618040



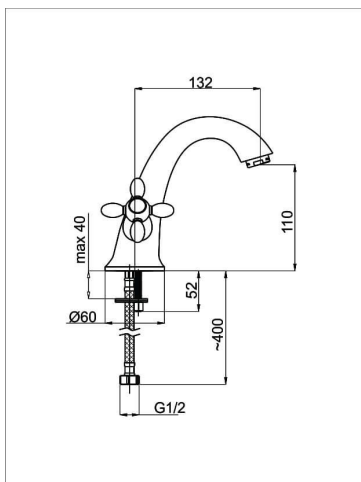
664028



636716

EAN: 4779028804469 EAN: 4779035271742 EAN: 4779035271575

## Scheme



## Package



<b>Package quantity</b>	12
<b>Weight Brutto (kg)</b>	1.649
<b>Weight Netto (kg)</b>	1.366
<b>1 package length (m)</b>	0.127
<b>1 packaging depth (m)</b>	0.231
<b>The primary package width (m)</b>	0.17
<b>2 package weight (kg)</b>	0.773
<b>2 packaging capacity</b>	0.05392
<b>2 Packaging depth (m)</b>	0.395
<b>2 packaging length (m)</b>	0.42
<b>2 packaging width (m)</b>	0.325