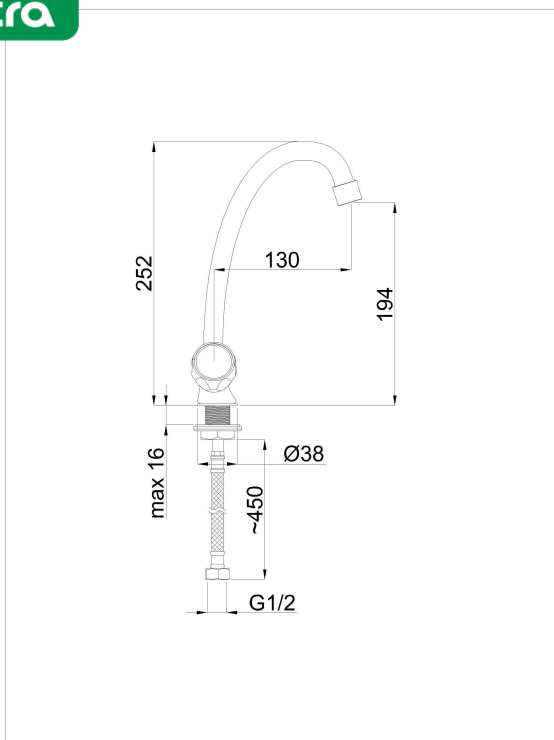


Kitchen faucet MILANO-8

Product information

RUBINETA
Extra



Description

Ageless classics for lovers of comfort and reliability.

- 5-years warranty
- After assembly all our faucets are being 100% tested
- Durable and glossy surface on all our faucets. We use more durable coating for shine and long-term use of faucets, which is more resistant to scratches, dents, limescale, rust.
- High-quality brass with lowered content of harmful impurities is one of the most important component materials.
- Faucets with the ANTI-NOISE system work silently and do not cause discomfort.
- Air and water mixing technology ensures exceptional economy.
- Aerator Neoperl® Honeycomb – ensures longlasting, quiet and flawless performance of the faucet.
- Ceramic valve with 180 rotation angle and noise absorber. It ensures long-lasting, silent and smooth functioning.
- Faucet is complemented with 40 cm connection hoses.



Specification

Code	M8J006
Intended use	Kitchen faucet
EAN	4779035271391
Warranty	5
Series	Milano
Segment	Extra
Connection	1/2
Finish	Chrome plated
Debit l/m	12

Components



618040



664028



636915

EAN: 4779028804469

EAN: 4779035271742

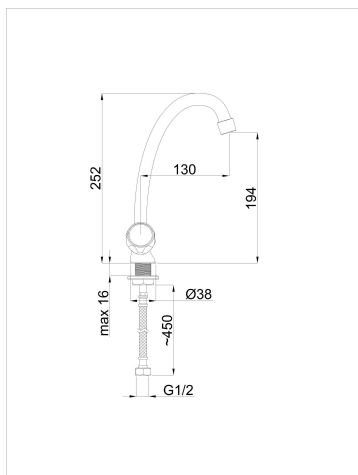
EAN: 4779035271025



636739

EAN: 4779035274385

Scheme



Package



Package quantity	12
Weight Brutto (kg)	1.366
Weight Netto (kg)	1.065
1 package length (m)	0.089
1 packaging depth (m)	0.38
The primary package width (m)	0.15
2 package weight (kg)	0.9
2 packaging capacity	0.07225
2 Packaging depth (m)	0.295
2 packaging length (m)	0.62
2 packaging width (m)	0.395